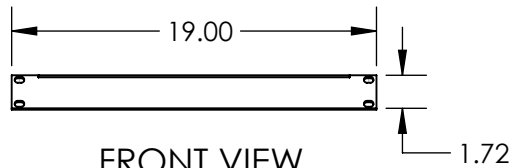
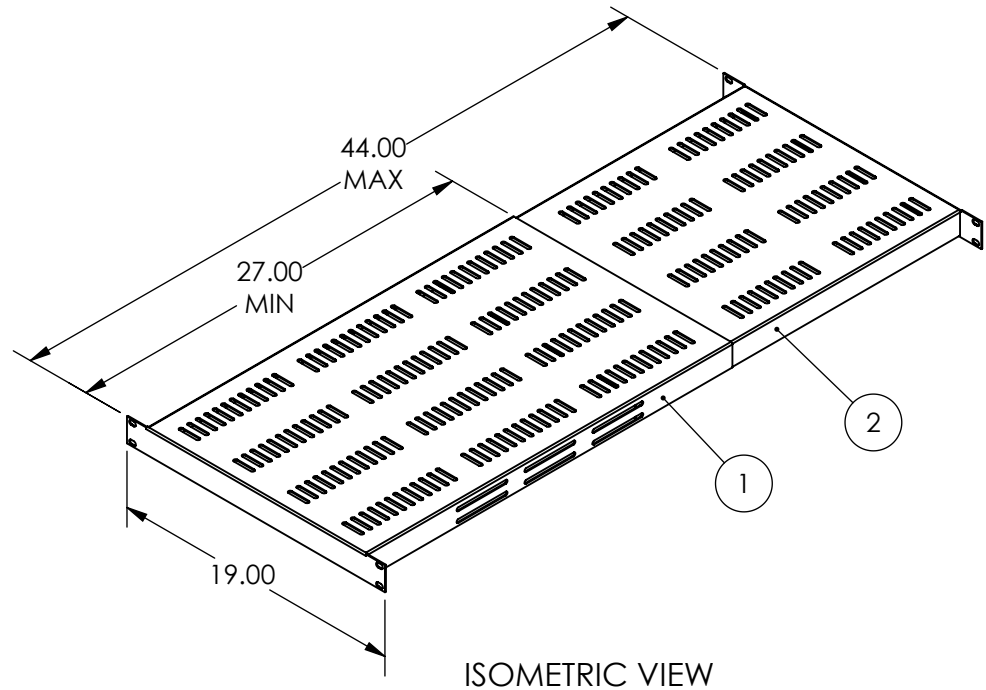


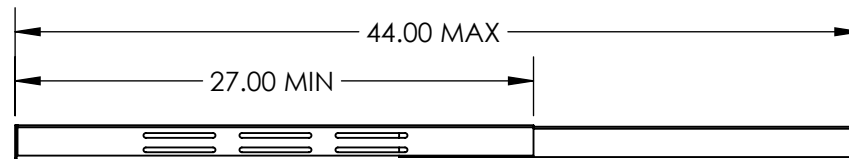
TOP VIEW



FRONT VIEW



ISOMETRIC VIEW



SIDE VIEW

ITEM NO.	DESCRIPTION	QTY.
1	Shelf, Perf., Front	1
2	Shelf, Perf., Rear-Solid	1

SPA
Signature PRODUCTS LLC.
Product of America

PROPRIETARY AND CONFIDENTIAL
THE INFORMATION CONTAINED IN THIS DRAWING IS THE SOLE PROPERTY OF SIGNATURE PRODUCTS. ANY REPRODUCTION IN PART OR AS A WHOLE WITHOUT THE WRITTEN PERMISSION OF SIGNATURE PRODUCTS IS PROHIBITED.

Description:
Adjustable Shelf, Perf.
27" TO 44"

SIZE A	Part No. SESP2744-FBK	REV -
SCALE: 1:10		WT: 15 LBS. SHEET 1 OF 1