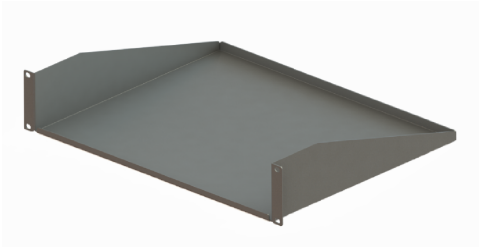




## RACK & EQUIPMENT SHELVES

**SHELVES ARE CONSTRUCTED OF HIGH STRENGTH STEEL (ALUMINUM ALSO AVAILABLE)**



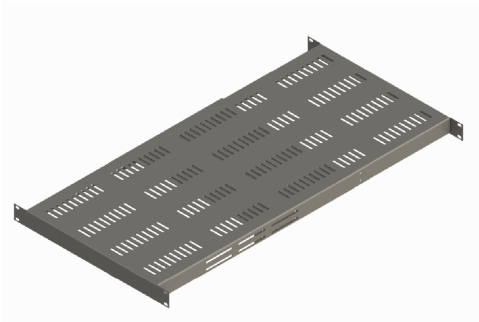
**SINGLE SIDED SOLID SHELF**

### ***SINGLE SIDED SHELVES***

- WALL, BACKBOARD, OR RACK MOUNTED
- 100 LBS. STATIC LOAD RATING
- SOLID OR VENTED

### ***DOUBLE SIDED SHELVES***

- FITS 3" CHANNEL RACKS
- 150 LBS. STATIC LOAD RATING (75 LBS. PER SHELF)
- SOLID OR VENTED



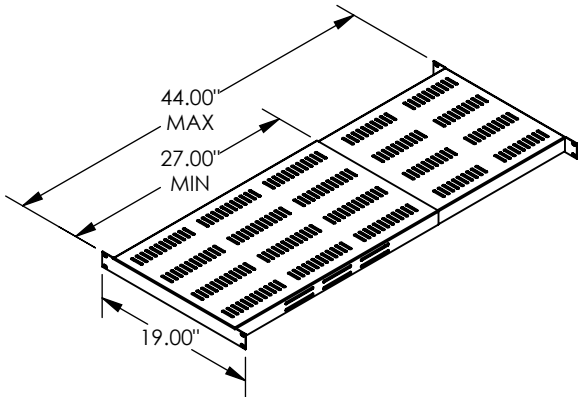
**ADJUSTABLE PERFORATED SHELF**

### ***ADJUSTABLE SHELVES***

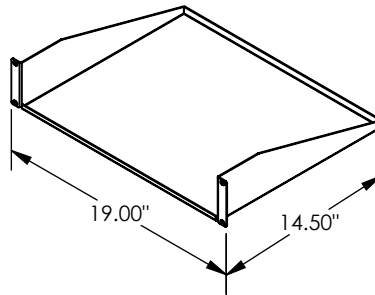
- ADJUSTABLE TO FIT FOUR POST RACKS OR CABINETS
- 400 LBS. STATIC LOAD RATING
- VENTED STANDARD
- 16"-26" OR 27"-44" ADJUSTABILITY

### ***SLIDING PULL OUT SHELVES***

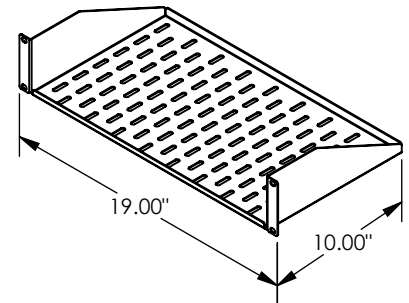
- ADJUSTABLE TO FIT FOUR POST RACKS OR CABINETS
- 100 LBS. STATIC LOAD RATING
- VENTED STANDARD
- 11" TO 30" RAIL TO RAIL (TWO SIZE OPTIONS AVAILABLE)
- SLIDES TO EXTEND TO 20" WITH LOCKING RAILS



**SESP2744-FBK**



**SSSR1914S-FBK**



**SSSR1910P-FBK**

<b>PART #</b>	<b>DESCRIPTION</b>	<b>WT (LBS.)</b>
SSSR1910P-FBK	SHELF, 19" RACKABLE, 2U X 19" X 10"D, 16GA STEEL, PERF, 50LB CAP., BLACK	5
SSSR1910S-FBK	SHELF, 19" RACKABLE, 2U X 19" X 10"D, 16GA STEEL, SOLID, 50LB CAP., BLACK	5
SSSR1914S-FBK	SHELF, 19" RACKABLE, 2U X 19" X 14"D, 16GA STEEL, SOLID, 50LB CAP., BLACK	9
SSSR1914P-FBK	SHELF, 19" RACKABLE, 2U X 19" X 14"D, 16GA STEEL, PERF, 50LB CAP., BLACK	9
SESP1626-FBK	SHELF, 19" RACKABLE, 1U ADJUSTABLE 16"-26"D, PERF, 400LB CAP., BLACK (-WHT FOR WHITE)	10
SESP2744-FBK	SHELF, 19" RACKABLE, 1U ADJUSTABLE 27"-44"D, PERF, 400LB CAP., BLACK (-WHT FOR WHITE)	15

**SIGNATURE PRODUCTS, LLC**  
**2500 East MiralomaWay**  
**Anaheim, California 92806**

**(714) 823-7089**  
**info@signatureproductsllc.com**  
**www.signatureproductsllc.com**